

INTERNATIONAL STANDARD

ISO
527-4

First edition
1997-04-15

Plastics — Determination of tensile properties —

Part 4:

Test conditions for isotropic and orthotropic fibre-reinforced plastic composites

Plastiques — Détermination des propriétés en traction —

*Partie 4: Conditions d'essai pour les composites plastiques renforcés de
fibres isotropes et orthotropes*

This material is reproduced from ISO documents under International Organization for Standardization (ISO) Copyright License number IHS/ICC/1996. Not for resale. No part of these ISO documents may be reproduced in any form, electronic retrieval system or otherwise, except as allowed in the copyright law of the country of use, or with the prior written consent of ISO (Case postale 56, 1211 Geneva 20, Switzerland, Fax +41 22 734 10 79), IHS or the ISO Licensor's members.



Reference number
ISO 527-4:1997(E)

ISO 527-4:1997(E)

Foreword

ISO (the International Organization for Standardization) is a worldwide federation of national standards bodies (ISO member bodies). The work of preparing International Standards is normally carried out through ISO technical committees. Each member body interested in a subject for which a technical committee has been established has the right to be represented on that committee. International organizations, governmental and non-governmental, in liaison with ISO, also take part in the work. ISO collaborates closely with the International Electrotechnical Commission (IEC) on all matters of electrotechnical standardization.

Draft International Standards adopted by the technical committees are circulated to the member bodies for voting. Publication as an International Standard requires approval by at least 75 % of the member bodies casting a vote.

International Standard ISO 527-4 was prepared by Technical Committee ISO/TC 61, *Plastics*, Subcommittee SC 2, *Mechanical properties*.

Together with part 5, this part of ISO 527 cancels and replaces the first edition of ISO 3268 (ISO 3268:1978) which has been technically revised.

ISO 527 consists of the following parts, under the general title *Plastics — Determination of tensile properties*:

- *Part 1: General principles*
- *Part 2: Test conditions for moulding and extrusion plastics*
- *Part 3: Test conditions for sheet and film*
- *Part 4: Test conditions for isotropic and orthotropic fibre-reinforced plastic composites*
- *Part 5: Test conditions for unidirectional fibre-reinforced plastic composites*

Annex A forms an integral part of this part of ISO 527. Annex B is for information only.

© ISO 1997

All rights reserved. Unless otherwise specified, no part of this publication may be reproduced or utilized in any form or by any means, electronic or mechanical, including photocopying and microfilm, without permission in writing from the publisher.

International Organization for Standardization
Case postale 56 • CH-1211 Genève 20 • Switzerland
Internet central@iso.ch
X.400 c=ch; a=400net; p=iso; o=isocs; s=central

Printed in Switzerland

Plastics — Determination of tensile properties —

Part 4:

Test conditions for isotropic and orthotropic fibre-reinforced plastic composites

1 Scope

1.1 This part of ISO 527 specifies the test conditions for the determination of the tensile properties of isotropic and orthotropic fibre-reinforced plastic composites, based upon the general principles given in part 1.

Unidirectionally reinforced materials are covered by part 5.

1.2 See ISO 527-1, subclause 1.2.

1.3 The test method is suitable for use with the following materials:

- fibre-reinforced thermosetting and thermoplastic composites incorporating non-unidirectional reinforcements such as mats, woven fabrics, woven rovings, chopped strands, combinations of such reinforcements, hybrids, rovings, short or milled fibres or preimpregnated materials (prepregs) (for directly injection-moulded specimens, see specimen 1A in ISO 527-2:1993);
- combinations of the above with unidirectional reinforcements and multidirectional reinforced materials constructed from unidirectional layers, provided such laminates are symmetrical (for materials with completely, or mainly, unidirectional reinforcements, see ISO 527-5);
- finished products made from these materials.

The reinforcement fibres covered include glass fibres, carbon fibres, aramid fibres and other similar fibres.

1.4 The method is performed using specimens machined from a test panel made in accordance with ISO 1268 or by equivalent methods, or from finished and semi-finished products with suitable flat areas.

1.5 See ISO 527-1, subclause 1.5.

2 Normative references

The following standards contain provisions which, through reference in this text, constitute provisions of this part of ISO 527. At the time of publication, the editions indicated were valid. All standards are subject to revision, and parties to agreements based on this part of ISO 527 are encouraged to investigate the possibility of applying the most recent editions of the standards indicated below. Members of IEC and ISO maintain registers of currently valid International Standards.

ISO 527-1:1993, *Plastics — Determination of tensile properties — Part 1: General principles*.

ISO 527-2:1993, *Plastics — Determination of tensile properties — Part 2: Test conditions for moulding and extrusion plastics.*

ISO 527-5:1997, *Plastics — Determination of tensile properties — Part 5: Test conditions for unidirectional fibre-reinforced plastic composites.*

ISO 1268:1974, *Plastics — Preparation of glass fibre reinforced, resin bonded, low-pressure laminated plates or panels for test purposes.*

ISO 2818:1994, *Plastics — Preparation of test specimens by machining.*

ISO 3534-1:1993, *Statistics — Vocabulary and symbols — Part 1: Probability and general statistical terms.*

3 Principle

See ISO 527-1, clause 3.

4 Definitions

For the purposes of this part of ISO 527, the following definitions apply.

4.1 gauge length: See ISO 527-1, subclause 4.1.

4.2 speed of testing: See ISO 527-1, subclause 4.2.

4.3 tensile stress, σ (engineering): See ISO 527-1, subclause 4.3, except that σ for “1”-direction specimens is defined as σ_1 and for “2”-direction specimens as σ_2 (see 4.8 for definitions of these directions).

4.3.1 tensile strength, σ_M : See ISO 527-1, subclause 4.3.3, except that σ_M for “1”-direction specimens is defined as σ_{M1} and for “2”-direction specimens as σ_{M2} .

4.4 tensile strain, ε : See ISO 527-1, subclause 4.4, except that ε for “1”-direction specimens is defined as ε_1 and for “2”-direction specimens as ε_2 .

It is expressed as a dimensionless ratio or in percent.

4.5 tensile strain at tensile strength; tensile failure strain, ε_M : The tensile strain at the point corresponding to the tensile strength of the specimen.

For “1”-direction specimens, ε_M is defined as ε_{M1} and for “2”-direction specimens as ε_{M2} .

It is expressed as a dimensionless ratio or in percent.

4.6 modulus of elasticity in tension; Young's modulus, E : See ISO 527-1, subclause 4.6, except that E for “1”-direction specimens is defined as E_1 and for “2”-direction specimens as E_2 .

The strain values used are as given in ISO 527-1, subclause 4.6, i.e. $\varepsilon' = 0,000\ 5$ and $\varepsilon'' = 0,002\ 5$ (see figure 1), unless alternative values are given in the material or technical specifications.

4.7 Poisson's ratio, μ : See ISO 527-1, subclause 4.7, except that for “1”-direction specimens μ_b is defined as μ_{12} and μ_h as μ_{13} , using the coordinates shown in figure 2. For “2”-direction specimens, μ_b is defined as μ_{21} and μ_h as μ_{23} .

4.8 specimen coordinate axes: The "1"-direction is normally defined in terms of a feature associated with the material structure or the production process, such as the length direction in continuous-sheet processes (see figure 2). The "2"-direction is perpendicular to the "1"-direction.

NOTES

- 1 The "1"-direction is also referred to as the 0° or longitudinal direction and the "2"-direction as the 90° or transverse direction-
- 2 For unidirectional materials covered by part 5 of this International Standard, the direction parallel to the fibres is defined as the "1"-direction and the direction perpendicular to the fibres (in the plane of the fibres) as the "2"-direction.

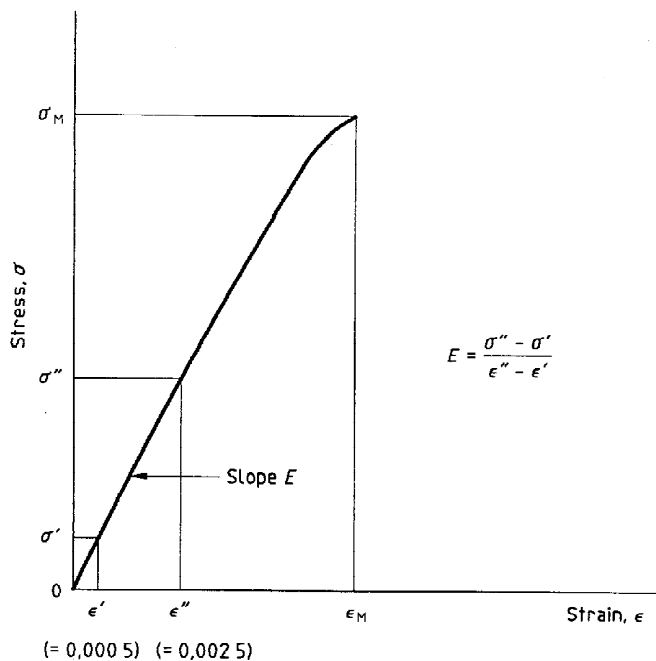


Figure 1 — Stress-strain curve

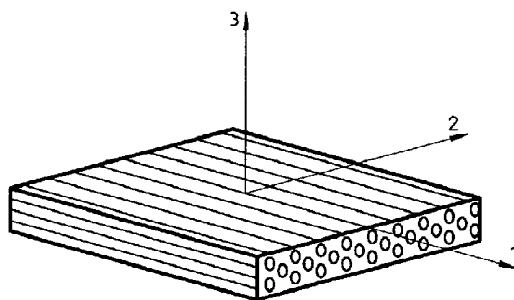


Figure 2 — Fibre-reinforced plastic composite showing axes of symmetry

5 Apparatus

See ISO 527-1, clause 5, except for the following: The micrometer or its equivalent (see 5.2.1) shall read to 0,01 mm or better. It shall have a suitable-size ball-ended anvil if used on irregular surfaces and a flat anvil if used on flat, smooth (e.g. machined) surfaces.

Subclause 5.2.2 does not apply.

NOTE — It is recommended that alignment of the specimen and loading train be checked as described in annex B.

6 Test specimens

6.1 Shape and dimensions

Three types of test specimen are specified for use with this part of ISO 527, as detailed and illustrated in figure 3 (type 1B) and figure 4 (types 2 and 3).

Type 1B is for testing fibre-reinforced thermoplastics. Type 1B specimens may also be used for fibre-reinforced thermosets if they break within the gauge length. Type 1B shall not be used for multidirectional, continuous-fibre-reinforced materials.

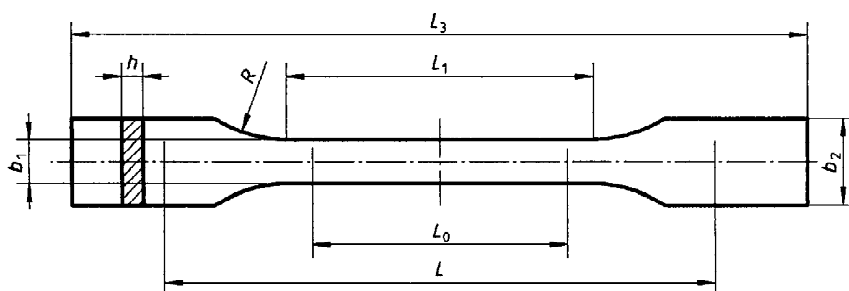
Type 2 (rectangular without end tabs) and type 3 (rectangular with bonded end tabs) are for testing fibre-reinforced thermosets and thermoplastics. Specimens with unbonded end tabs are considered as type 2.

The preferred width of type 2 and type 3 specimens is 25 mm, but widths of 50 mm or greater may be used if the tensile strength is low due to the particular type of reinforcement used.

The thickness of type 2 and type 3 specimens shall be between 2 mm and 10 mm.

To decide whether to use type 2 or type 3 specimens, first carry out tests with type 2 specimens and, if the test is not possible or not satisfactory, i.e. if the specimen slips or breaks in the grips (see ISO 527-1, subclause 5.1), use type 3 specimens.

For compression-moulded materials, the thickness between the end-pieces of any type of specimen shall at no point deviate from the mean by more than 2 %.



Dimensions in millimetres

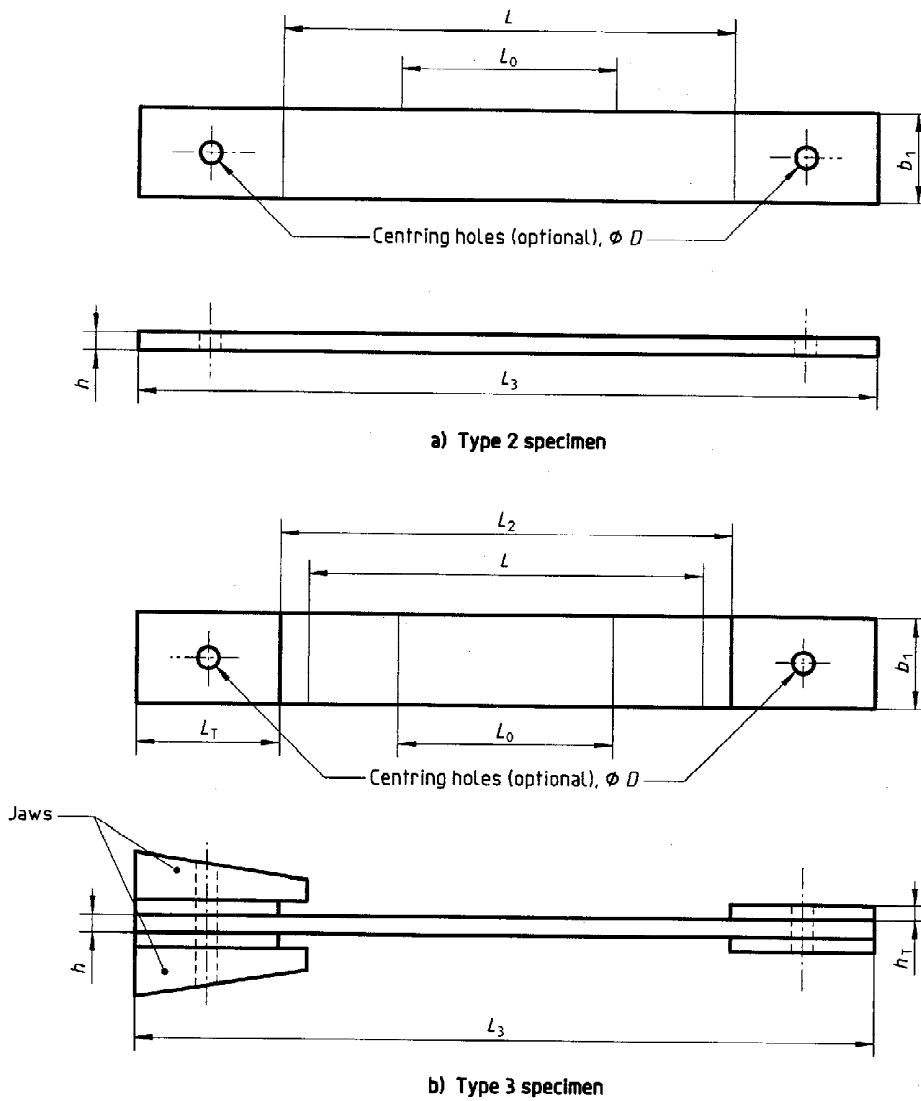
L_3	Overall length	≥ 150 1)
L_1	Length of narrow parallel-sided portion	$60 \pm 0,5$
R	Radius	≥ 60 2)
b_2	Width at ends	$20 \pm 0,2$
b_1	Width of narrow portion	$10 \pm 0,2$
h	Thickness	2 to 10
L_0	Gauge length (recommended for extensometers)	$50 \pm 0,5$
L	Initial distance between grips	115 ± 1

NOTE — Requirements on specimen quality and parallelism are given in clause 6.

1) For some materials, the length of the tabs may need to be extended (e.g. so that $l_3 = 200$ mm) to prevent breakage or slippage of the specimen in the jaws.

2) It should be noted that a thickness of 4 mm gives a specimen which is identical to the type 1B specimen specified in ISO 527-2 and ISO 3167:1993, *Plastics — Multipurpose test specimens*.

Figure 3 — Type 1B specimen



Dimensions in millimetres

		Type 2	Type 3
L_3	Overall length	≥ 250	≥ 250
L_2	Distance between end tabs	—	150 ± 1
b_1	Width	$25 \pm 0,5$ or $50 \pm 0,5$	$25 \pm 0,5$ or $50 \pm 0,5$
h	Thickness	2 to 10	2 to 10
L_0	Gauge length (recommended for extensometers)	50 ± 1	50 ± 1
L	Initial distance between grips	150 ± 1	136 (nominal)
L_T	Length of end tabs	—	≥ 50
h_T	Thickness of end tabs	—	1 to 3
D	Diameter of centring holes	$3 \pm 0,25$	$3 \pm 0,25$

NOTE — Requirements on specimen quality and parallelism are given in clause 6.

Figure 4 — Type 2 and type 3 specimens

6.2 Preparation of specimens

6.2.1 General

In the case of moulding and lamination materials, prepare a panel in accordance with ISO 1268 or another specified/agreed procedure. Cut individual specimens, or groups of specimens in the case of type 3 specimens (see annex A), from the panel.

In the case of finished products (for example, for quality control during manufacture or on delivery), take specimens from flat areas.

Parameters for machining specimens are specified in ISO 2818. Further guidance on cutting specimens is given in annex A.

6.2.2 End tabs (for type 3 specimens)

The ends of the specimen shall be reinforced, preferably with end tabs made of cross-ply or fabric glass-fibre/resin laminate with the fibres at $\pm 45^\circ$ to the specimen axis. The tab thickness shall be between 1 mm and 3 mm, with a tab angle of 90° (i.e. not tapered).

Alternative tabbing arrangements are permissible, but shall be shown, before use, to give at least equal strength and no greater coefficient of variation (see ISO 527-1, subclause 10.5, and ISO 3534-1) than the recommended tabs. Possible alternatives include tabs made from the material under test, mechanically fastened tabs, unbonded tabs made of rough materials (such as emery paper or sandpaper, and the use of roughened grip faces).

6.2.3 Application of end tabs (for type 3 specimens)

Bond the end tabs to the specimen with a high-stretch adhesive as described in annex A.

NOTE — The same procedure can be used for individual specimens and for a group of specimens.

6.3 Gauge marks

See ISO 527-1, subclause 6.3.

6.4 Checking the specimens

See ISO 527-1, subclause 6.4.

6.5 Anisotropy

The properties of fibre-reinforced plastic composites frequently vary with direction in the plane of the sheet (anisotropy). For this reason, it is recommended that two groups of test specimens be prepared with their major axes parallel and perpendicular, respectively, to the direction of some feature which is inferred from a knowledge of the structure of the material or its method of manufacture (see subclause 4.8).

7 Number of specimens

See ISO 527-1, clause 7.

8 Conditioning

See ISO 527-1, clause 8.

9 Procedure

9.1 Test atmosphere

See ISO 527-1, subclause 9.1.

9.2 Measurement of specimen dimensions

See ISO 527-1, subclause 9.2.

9.3 Clamping

See ISO 527-1, subclause 9.3.

9.4 Prestresses

See ISO 527-1, subclause 9.4.

9.5 Setting of extensometers and strain gauges and placing of gauge marks

See ISO 527-1, subclause 9.5. Measure the gauge length to an accuracy of 1 % or better.

9.6 Test speed

Use the following test speeds:

9.6.1 For type 1B test specimens

- a) 10 mm/min for routine quality control;
- b) 2 mm/min for qualification tests,
 - when measuring the maximum elongation,
 - when determining the tensile modulus of elasticity.

9.6.2 For type 2 and type 3 test specimens

- a) 5 mm/min for routine quality control;
- b) 2 mm/min for qualification tests,
 - when measuring the maximum elongation,
 - when determining the tensile modulus of elasticity.

9.7 Recording of data

See ISO 527-1, subclause 9.7.

10 Calculation and expression of results

See ISO 527-1, clause 10, except that the definitions given in clause 4 of this part of ISO 527 apply and strain values shall be reported to three significant figures.

If Poisson's ratio is required, calculate it at the strain values given in 4.6.

11 Precision

The precision of this test method is not known because interlaboratory data are not available. When interlaboratory data are obtained, a precision statement will be added with the following revision.

The precision data will be specific to particular combinations of fibre and matrix types.

12 Test report

The test report shall include the following information:

- a) a reference to this part of ISO 527, including the type of specimen and the test speed, written in the following format:

Tensile test	ISO 527-4/2/5
Type of specimen _____	
Test speed in millimetres per minute _____	

- b) to q) see ISO 527-1, clause 12, b) to q), including fibre type, fibre content and fibre geometry (e.g. mat) in 12b).

Annex A (normative)

Specimen preparation

A.1 Machining the specimens

In all cases take the following precautions:

- Avoid working under conditions that would create a large build-up of heat in the specimen (the use of a coolant is recommended). If a liquid coolant is used, dry the specimens immediately after machining.
- Check that all cut surfaces of the specimen are free from machining defects.

A.2 Preparation of specimens with bonded end tabs

A recommended method is as follows:

Cut out from the material under test a sheet having the length of the intended specimens and of a width suitable for the number of specimens required.

Identify the "1"-direction of the material in the sheet.

Cut out rectangular strips of the required length and width for the tabs.

Attach the strips to the sheet as follows:

- a) If required, rub with fine abrasive paper or blast with suitable sand all the surfaces to which adhesive will be applied.
- b) Remove all dust from these surfaces and clean them with a suitable solvent.
- c) Bond the strips in place along the ends of the sheet, parallel to each other and normal to the length direction of the specimens, as shown in figure A.1, using a high-stretch adhesive and strictly following the adhesive manufacturer's instructions.

NOTE — It is recommended that a film adhesive with a thin carrier be used. The adhesive should preferably have a shear strength greater than 30 MPa. It is desirable that the adhesive used be flexible in nature, with an elongation at break greater than that of the material under test.

- d) Keep the bonded parts at the pressure and temperature recommended by the adhesive manufacturer for the time recommended by the manufacturer.
- e) Cut the sheet, together with the strips constituting the end tabs, into test specimens (see figure A.1).

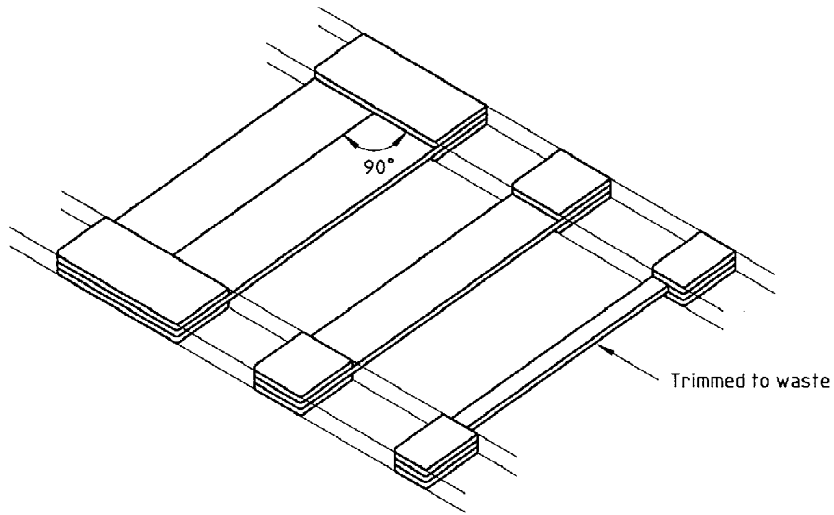


Figure A.1 — Tabbed panel for specimen preparation

ICS 83.120

Descriptors: plastics, reinforced plastics, tests, tension tests, determination, tensile properties, testing conditions, test specimens.

Price based on 11 pages
